

Take-offs with mesh

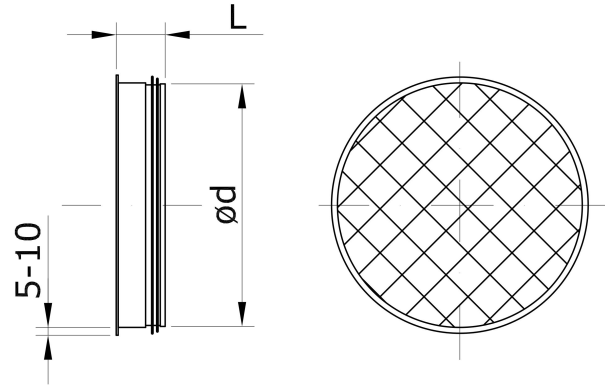
AKLT



Description

Circular take-offs with mesh are used to install a ventilation system in buildings with spiral or smooth ducts. They are used to protect the air duct against the ingress of animals or other foreign objects into the duct system. The products can be made of: galvanized steel sheet - corrosion class C3-L / C2-M; sheet with aluminium zinc coating - corrosion class C4-M / C3-H; stainless steel sheet AISI 304 (1.4301) or AISI 316L (1.4404) - corrosion class C5. The take-offs can be used at temperatures from -45 to +85 °C. The maximum permissible absolute humidity inside the air stream and outside is 18 g/kg. An EPDM sealing gasket with self-slip material is used. The take-offs are made by roll forming. Mesh size 13x13 mm. Air passage about 86%.

Dimensions



Ød [mm]	s [mm]	L [mm]	Mass [kg]	s _{np} [mm]	Mass _{np} [kg]
100	0,5	50	0,10	0,5	0,10
125	0,5	50	0,12	0,5	0,12
160	0,5	50	0,16	0,5	0,16
200	0,5	50	0,2	0,5	0,2
250	0,5	50	0,25	0,5	0,26
315	0,5	50	0,35	0,5	0,35
355	0,5	60	0,45	0,5	0,46
400	0,5	60	0,54	0,5	0,54
450	0,5	60	0,63	0,5	0,63
500	0,5	60	0,73	0,5	0,73
560	0,5	60	0,86	0,5	0,86
630	0,6	60	1,12	0,5	1,02
710	0,7	75	1,61	0,6	1,49
800	0,7	75	1,96	0,6	1,77
900	0,7	110	2,80	0,6	2,57
1000	0,9	110	3,78	0,8	3,52
1250	0,9	110	5,11	0,8	4,79

Mass_{np} – product mass made of stainless steel

Ordering code

Galvanized steel -	AKLT200
AISI 304 - NP	
AISI 316L - 316NP	
Product	
Size	

Sample: AKLT200 – made of galvanized steel, take-off with mesh, diameter 200 mm.