



TECHNIKA

Circular bends

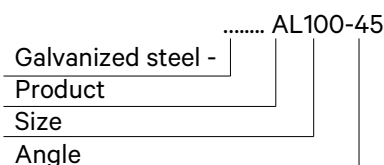
AL-45°



Description

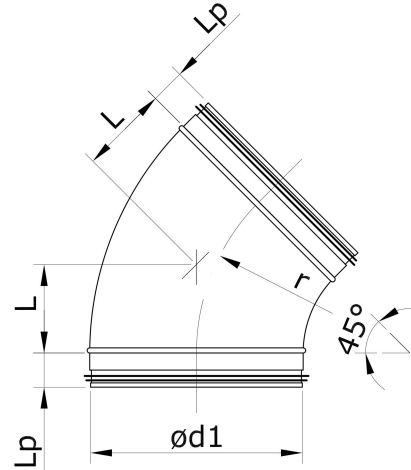
Pressed bends are used to install a ventilation system in buildings along with spiral or smooth ducts. Circular bends made of galvanized sheet steel with a zinc content of 275 g / m² - corrosion class C2 / C3 (L) according to LST EN ISO 12944 standard. There is a very smooth surface inside the pressed bends, which results in low pressure losses. Bends is made with double seal gasket EPDM with self-slip material inside. Tightness class C according to LST EN 1506 and LST EN 12237. The bends can be used at temperatures from -45 to +85 °C with appropriate insulation. The maximum permissible absolute humidity inside the air stream and outside is 18 g/kg. Bends can be manufactured in 90 °, 60 °, 45 °, 30 °, angle modifications.

Ordering code



Sample: AL100-45 – made of galvanized steel, circular bend, diameter 100 mm, angle 45°.

Dimensions



r=d1

Ød1 _{nom} [mm]	L [mm]	s [mm]	Lp [mm]	Mass [kg]
100	41	0,5	40	0,18
125	52	0,5	40	0,28
160	66	0,5	40	0,38

Technical data

