



TECHNIKA

# Collars for smoke duct sections

DSK-FPA



## Description

Flat collar for smoke duct sections DSK type is used to install in single smoke and heat extraction duct systems. Flat collars are used to connect a rectangular smoke duct to the side wall of another rectangular duct. Steel screws or rivets must be used for fixing. Ceramic duct sealing tape or fire mastic must be used, which must be glued before fixing the collar. Products can be made of: galvanized steel sheet - corrosion class C3-L/C2-M; sheet with aluminium zinc coating - corrosion class C4-M/C3-H.

The products are CE marked according to the standard LST EN 12101-7 and are used in smoke and heat control systems (for more information see the product declaration).

Maximum smoke duct section width x height, [mm]	Classification according LST EN 13501-4
≤ 1250x1000	<b>E<sub>600</sub> 120 (h<sub>o</sub>) S1500 single</b>

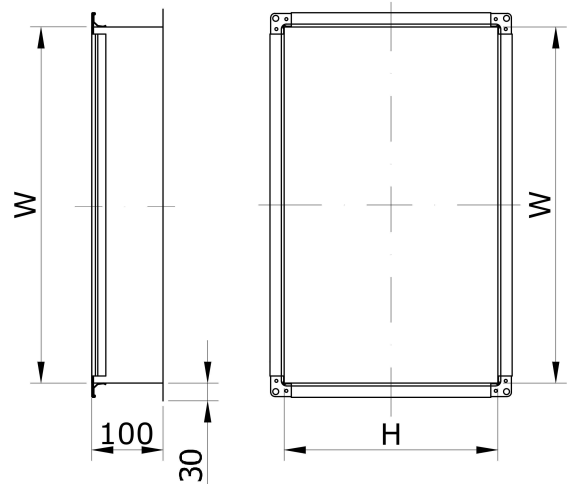
## Ordering code

..... DSK-FPA500300

Galvanized steel -  
Aluminium zinc-AZ  
Product  
Size

Sample: DSK-FPA500300 – made of galvanized steel sheet rectangular collars for smoke duct sections, dimensions WxH- 500x300 mm.

## Dimensions



	W	H
	[mm]	[mm]
Minimum dimension	200	200
Maximum dimension	1250	1000
Connection flange	F30	

## Technical data

Weight formula [kg] (galvanized steel)	W	H
	[mm]	[mm]
$m[\text{kg}] = 2,9 * (W[\text{m}] + H[\text{m}])$	Up to 1250	Up to 1000