

# Clamp

FK



## Description

Quick-connect mounting clamps are used to install a ventilation system in buildings along with spiral or flat ducts. Clamps are placed between the duct system and the fan or other element to facilitate removal for cleaning and maintenance. Thanks to the inner porous rubber, the clamp reduces noise and vibration propagation through the duct system from the noise source. The design of the clamp allows to connect elements with a small difference in diameter. Quick-connect clamps made of galvanized sheet steel - corrosion class C3-L/C2-M. Clamp tightness class C according to LST EN 1506 and LST EN 12237.

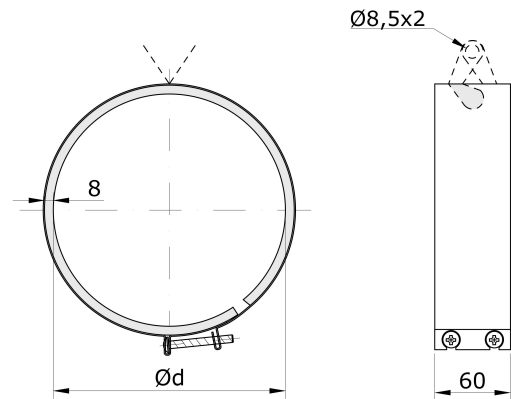
The quick clamp can be used at temperatures from -30 to +85°C. For other dimensions and materials please contact UAB „MKTechnika“ sales offices.

## Ordering code

..... FK200  
Galvanized steel -  
Product  
Size

Sample: FK200 – made of galvanized steel sheet, diameter 200 mm.

## Dimensions



Ød [mm]	Ød <sub>max</sub> [mm]	Ød <sub>min</sub> [mm]	Mass [kg]
100	105	95	0,21
125	130	120	0,26
160	165	155	0,31
200	205	195	0,36
250	255	145	0,43
315	320	310	0,50