

# Collars

FPA



## Description

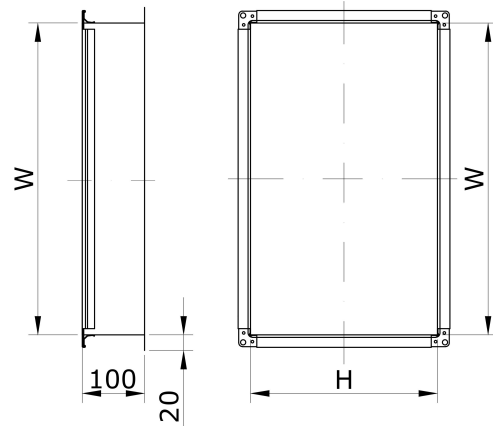
Flat collars are used to connect a rectangular duct to the side wall of another rectangular duct. Screws or rivets can be used for fixing. Duct sealing must be used, which must be glued before fixing or sealed. The products can be made of: galvanized steel sheet - corrosion class C3-L / C2-M; sheet with aluminium zinc coating - corrosion class C4-M / C3-H; stainless steel sheet AISI 304 (1.4301) or AISI 316L (1.4404) - corrosion class C5. Standard collar joint tightness class B according to LST EN 1507. Products of higher C tightness class are also available on request. Collars can be used at temperatures from -45 to +85 ° C with appropriate insulation. The maximum permissible absolute humidity inside the air stream and outside is 18 g / kg. Protective films, that ensure cleanliness, are placed at the customer's request when ordering. For other dimensions and materials, please contact UAB „MKTechnika“ sales offices.

## Ordering code

Galvanized steel -	..... FPA500300
AISI 304 - NP	
AISI 316L - 316NP	
Product	
Size	

Sample: FPA500300 – made of galvanized steel sheet rectangular collars, dimensions WxH- 500x300 mm.

## Dimensions



	W [mm]	H [mm]
Minimum dimension	100	100
Maximum standard dimension	2100	2100
Flange F20	Up to 1499	Up to 1499
Flange F30	1500-2100	1500-2100

## Technical data

Flanges come with a sealing gel. The gel meets the requirements of VDI 6022 standard.

Weight formula [kg] (galvanized steel)	W [mm]	H [mm]
$m[\text{kg}] = 2 * (W[\text{m}] + H[\text{m}])$	Up to 1000	Up to 1000
$m[\text{kg}] = 2,2 * (W[\text{m}] + H[\text{m}])$	From 1001 up to 1400	From 1001 up to 1400
$m[\text{kg}] = 2,6 * (W[\text{m}] + H[\text{m}])$	From 1401 up to 2100	From 1401 up to 2100