

Circular slide in couplings

MO



Description

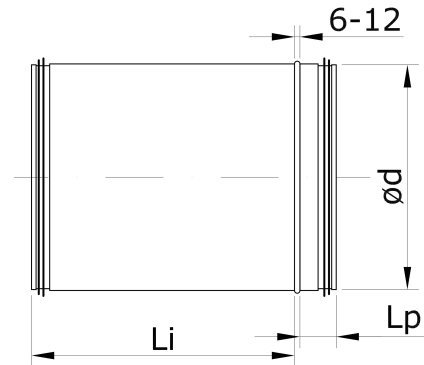
Circular couplings are used in the ventilation system in combination with spiral or straight ducts. Slide in couplings help to avoid extra cutting of the last duct, because the coupling allows adjusting the length of the joint.

The products can be made of: galvanized steel sheet - corrosion class C3-L / C2-M; sheet with aluminium zinc coating - corrosion class C4-M / C3-H; stainless steel sheet AISI 304 (1.4301) or AISI 316L (1.4404) - corrosion class C5. Coupling is made with double seal gasket EPDM with self-slip material inside. Tightness class C according to LST EN 1506 and LST EN 12237. The couplings can be used at temperatures from -45 to +85 °C with appropriate insulation. The maximum permissible absolute humidity inside the air stream and outside is 18 g/kg. Couplings are produced by roll-forming.

Ordering code

Galvanized steel -MO200
AISI 304 - NP	
AISI 316L - 316NP	
Product	
Size	

Dimensions



Ød [mm]	s [mm]	Li [mm]	Lp [mm]	Mass [kg]	s _{np} [mm]	Mass _{np} [kg]
100	0,5	250	40	0,37	0,5	0,37
125	0,5	250	40	0,46	0,5	0,46
160	0,5	250	40	0,59	0,5	0,59
200	0,5	250	40	0,74	0,5	0,74
250	0,5	250	40	0,92	0,5	0,93
315	0,5	250	40	1,16	0,5	1,17
355	0,5	250	50	1,35	0,5	1,36
400	0,5	250	50	1,53	0,5	1,54
450	0,5	250	50	1,72	0,5	1,73
500	0,5	250	50	1,91	0,5	1,92
560	0,5	250	50	2,14	0,5	2,15
630	0,6	300	50	3,36	0,5	2,81
710	0,7	300	65	4,66	0,6	4,02
800	0,7	300	65	5,25	0,6	4,52
900	0,7	300	100	6,38	0,6	5,49
1000	0,9	300	100	9,11	0,8	8,14
1250	0,9	300	100	11,4	0,8	10,2

Mass_{np} – product mass made of stainless steel

Sample: NPMO200 – made of stainless steel AISI 304 circular slide in coupling, diameter 200 mm.