

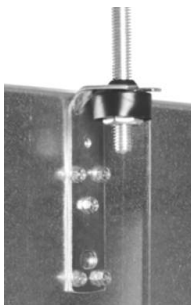
# L suspension profile

ALL



## Description

L suspension profile is used for hanging rectangular ducts where it is provided with a threaded rod hanging system. This profile features a lightweight and tight screw-on mount for most ducts. The L profile is mounted only on the vertical part of the duct and screwed in by screws (see picture below). It must be screwed all holes provided, to get the maximum permissible load on the profile. The L profile is supplied with a rubber shock absorber which dampens vibrations and noise. The housing is made of galvanized sheet steel - corrosion class C2-M/C3-L according to LST EN ISO 12944 standard.

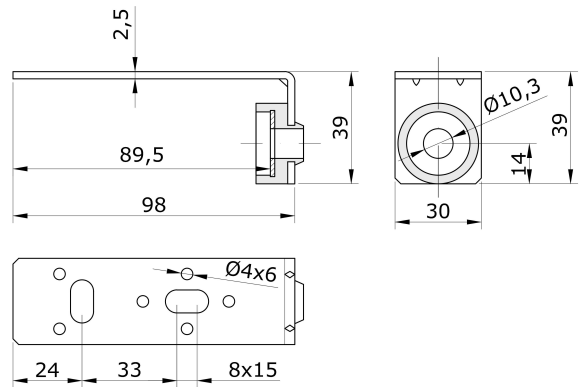


## Ordering code

ALL

Product

## Dimensions



Type	Allowable load [N]	mass [kg]
ALL	650	0,075