



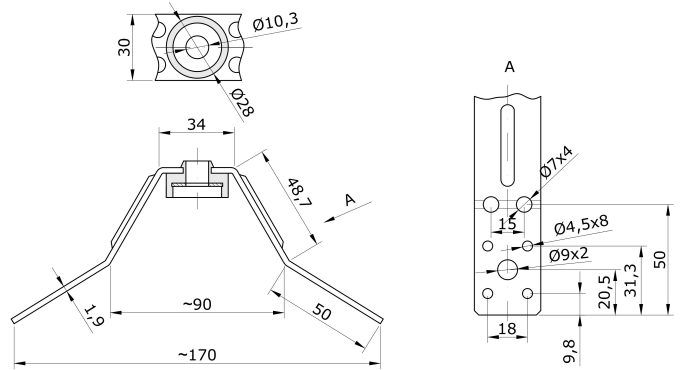
TECHNIKA

R suspension profile

ALR



Dimensions



Description

R suspension profile is used for hanging structural elements and circular ducts where it is provided with a threaded rod hanging system. This profile features a lightweight and tight screw-on mount for most ducts. It must be screwed all holes provided, to get the maximum permissible load on the profile. The R profile is supplied with a rubber shock absorber which dampens vibrations and noise. The housing is made of galvanized sheet steel - corrosion class C2-M/C3-L according to LST EN ISO 12944 standard.

Type	Allowable load [N]	Mass [kg]
ALR	350	0,100

Ordering code

ALR

Product