



TECHNIKA

# V suspension profile

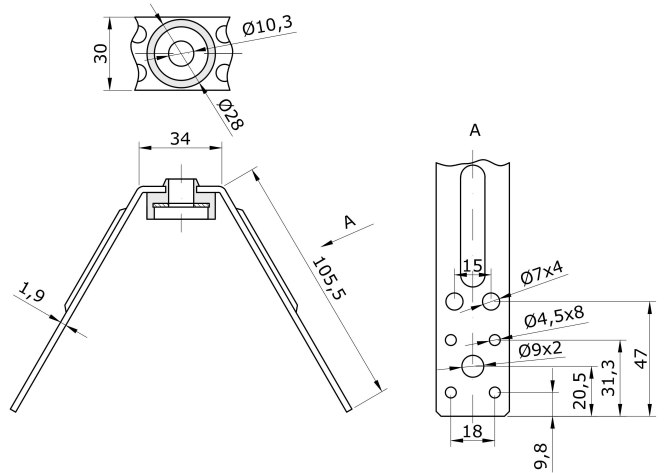
ALV



## Description

V suspension profile is used for hanging structural elements and non standard ducts and fittings where it is provided with a threaded rod hanging system. This profile features a lightweight and tight screw-on mount for most ducts. It must be screwed all holes provided, to get the maximum permissible load on the profile. The V profile is supplied with a rubber shock absorber which dampens vibrations and noise. The housing is made of galvanized sheet steel - corrosion class C2-M/C3-L according to LST EN ISO 12944 standard.

## Dimensions



Type	Allowable load [N]	Mass [kg]
ALV	600	0,110

## Ordering code

ALV

Product