

Anchor

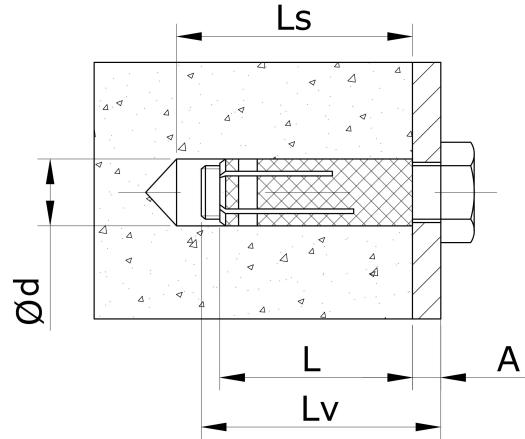
AZ



Description

Brass anchor is used to fasten heavy elements to solid dense materials (bricks, concrete, stone). Anchors have a metric thread.

Dimensions



Type	Thread	Ød [mm]	L [mm]	Ls [mm]	Mass kg/100 pieces	Allowable load, [kN]	
						Normal concrete C20/25	Brick
AZ8	M8	10	28	35	0,7	1,5	1,2

Minimum thread length $L_v = L + A$, mm.

Safety factor - 3.

Ordering code

AZ8

Product