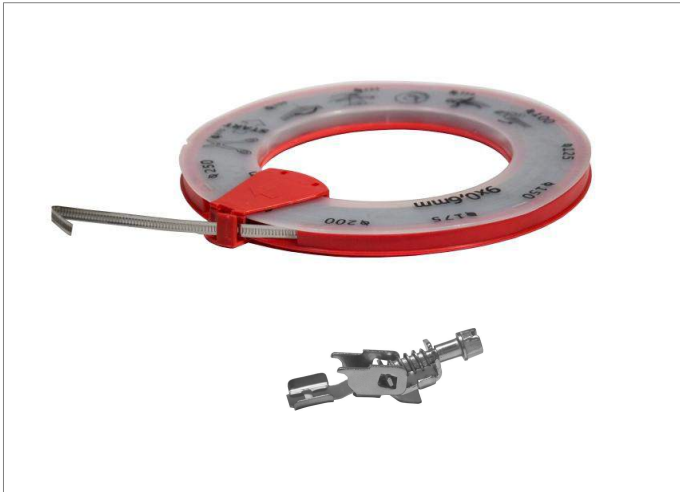




TECHNIKA

Metal clip tape

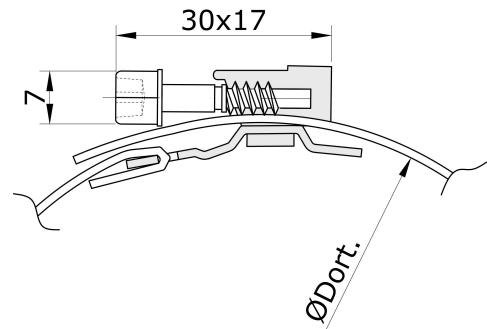
CMB/CMC



Description

Stainless steel strip 9mm wide, wrapped on a 30m long roll. The clip tape is used to create a clamping clip of any diameter. Properly formed edges prevent scratching during installation. The tape is ready to be unwrapped from a convenient plastic packaging. Using CMC clip is possible to bend the bar of any diameter. The CMB metal tape is an economical, convenient and fast way to join and produce the required length of the clamping clips. The method of making the clamp is shown on the packaging of the tape.

Dimensions



Type	Material	Tape length [m]	s [mm]	Mass [kg/m]
CMB	Stainless steel	30	0,6	0,043
CMC	Stainless steel	-	-	0,011

Ordering code

Product, tape CMB

Product, clip CMC