

Joint clamps

VG



Description

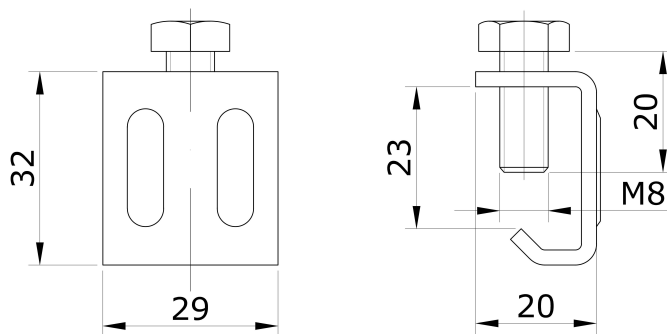
Joint clamp G is used to connect rectangular ducts through flanges when no C-profile connection is used. All types of flange connections L20, L30, L40 can be connected with clamp. The clamp is made by pressing with reinforcing ribs. The clamp is supplied with M8x20 screw in 8 strength class. When connecting another system, such as a flange with a fire damper, or with an aluminium damper, it may be necessary to use M8x25 Screw. When connecting any system, it is necessary to use a sealing gasket between the elements. The clamp is made of galvanized sheet steel - corrosion class C2-M/C3-L according to LST EN ISO 12944 standard. Can also be made of stainless steel sheet AISI 304 (1.4301) - corrosion class C5.

Ordering code

Galvanized steel -
AISI 304 - NP
Product

....VG20

Dimensions



Type	Mass [kg]
VG20	0,041

Technical data

