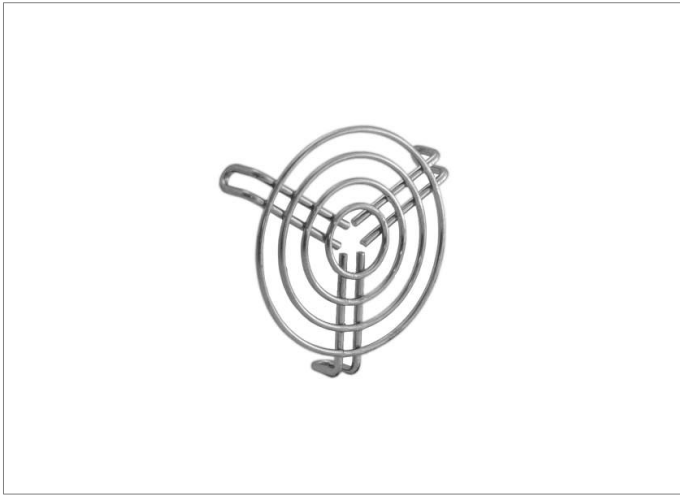
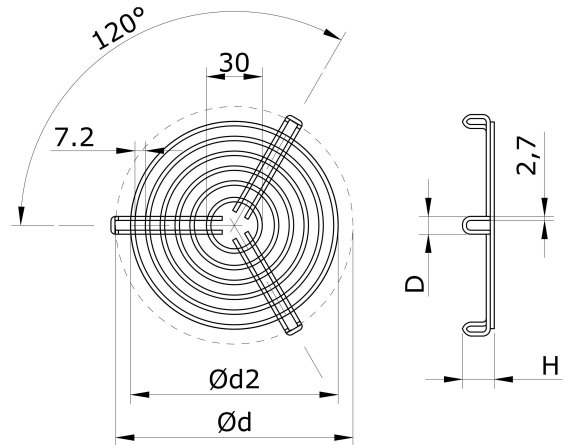


Protection grille

SG



Dimensions



Description

Protection grilles are used to install a ventilation system in buildings with spiral or smooth ducts. They are used to protect the air duct or ventilator against the ingress of animals or other foreign objects into the duct system.

Protection grille made of galvanized steel wire with 45 µm zinc coating - corrosion class C4-M / C3-H. Protection grille can be used at temperatures from -45 to +85°C. For other dimensions and materials please contact UAB „MKTechnika“ sales offices.

| Ød [mm] | Ød ₂ [mm] | H [mm] | D [mm] | Mass [kg] |
|---------|----------------------|--------|--------|-----------|
| 100 | 90 | 24,3 | 11,8 | 0,07 |
| 125 | 110 | 24,3 | 11,8 | 0,09 |
| 160 | 150 | 24,3 | 11,8 | 0,14 |
| 200 | 190 | 24,3 | 11,8 | 0,20 |
| 250 | 240 | 24,3 | 11,8 | 0,32 |
| 315 | 310 | 24,7 | 12,6 | 0,46 |

Ordering code

..... SG200
 Galvanized steel -
 Product
 Size

Sample: SG200 – made of galvanized steel wire, diameter 200 mm.