



TECHNIKA

X-pieces 45°

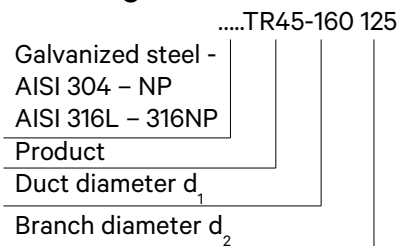
TR45



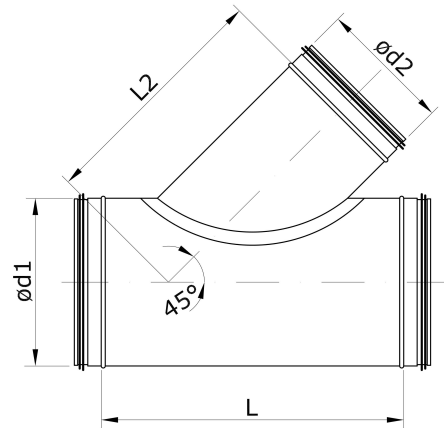
Description

Round X-piece are used when installing a ventilation system in buildings together with spiral or smooth ducts. The X-piece branch is the same size or smaller than the main dimension of the duct. The products can be made of: galvanized steel sheet - corrosion class C3-L / C2-M; sheet with aluminium zinc coating - corrosion class C4-M / C3-H; stainless steel sheet AISI 304 (1.4301) or AISI 316L (1.4404) - corrosion class C5. X-piece is made with double seal gasket EPDM with self-slip material inside. Tightness class C according to LST EN 1506 and LST EN 12237. The X-piece can be used at temperatures from -45 to +85 °C with appropriate insulation. The maximum permissible absolute humidity inside the air stream and outside is 18 g/kg. For other dimensions or materials, please contact UAB "MKTechnika" sales department. The X-pieces are manufactured by roll forming.

Ordering code



Dimensions



Ød1 _{nom} [mm]	Ød2 _{nom} [mm]	L [mm]	L2 [mm]	s [mm]	Mass [kg]
100	100	280	190	0,5	0,69
125	100	280	210	0,5	0,82
125	125	315	220	0,5	0,95
160	100	305	230	0,5	1,04
160	125	340	245	0,5	1,19
160	160	390	275	0,5	1,44
200	100	305	260	0,5	1,25
200	125	340	270	0,5	1,42
200	160	390	305	0,5	1,70
200	200	450	325	0,5	2,02
250	100	305	295	0,5	1,52
250	125	340	310	0,5	1,71
250	160	390	340	0,5	2,02
250	200	450	360	0,5	2,38
250	250	520	385	0,5	2,86
315	100	280	343	0,5	1,76
315	125	340	360	0,5	2,09
315	160	395	385	0,5	2,46
315	200	475	405	0,5	2,96
315	250	545	430	0,5	3,48
315	315	640	480	0,5	4,30
400	100	280	403	0,5	2,30
400	125	340	420	0,5	2,70
400	160	395	445	0,5	3,14
400	200	475	465	0,5	3,73
400	250	545	490	0,5	4,35
400	315	640	535	0,5	5,26
400	400	760	580	0,5	6,48
500	100	280	475	0,5	2,82
500	125	340	495	0,5	3,31
500	160	395	515	0,5	3,82
500	200	475	535	0,5	4,51
500	250	545	560	0,5	5,20
500	315	640	610	0,5	6,30
500	400	760	650	0,5	7,66
500	500	900	700	0,5	9,36

*Product mass – made of galvanized steel

Sample: TR45-160125 – made of galvanized steel X-piece 45°, duct diameter 160 mm, with branch 125 mm.

X-piece 45°

TR45

Dimensions

$\varnothing d1_{nom}$ [mm]	$\varnothing d2_{nom}$ [mm]	L [mm]	L2 [mm]	s [mm]	Mass [kg]
630	100	350	635	0,6	4,94
630	125	410	645	0,6	5,65
630	160	455	655	0,6	6,30
630	200	535	665	0,6	7,30
630	250	600	680	0,6	8,26
630	315	690	700	0,6	9,59
630	400	810	740	0,6	11,5
630	500	950	790	0,6	13,9
630	630	1140	885	0,6	17,5