



TECHNIKA

# T-pieces 90°

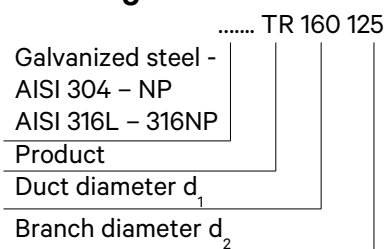
TR



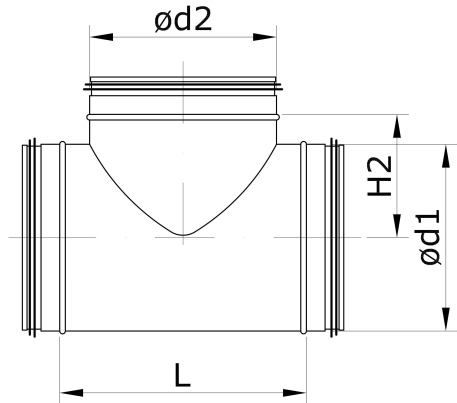
## Description

Round T-piece are used when installing a ventilation system in buildings together with spiral or smooth ducts. The T-piece branch is the same size or smaller than the main dimension of the duct. The products can be made of: galvanized steel sheet - corrosion class C3-L / C2-M; sheet with aluminium zinc coating - corrosion class C4-M / C3-H; stainless steel sheet AISI 304 (1.4301) or AISI 316L (1.4404) - corrosion class C5. T-piece is made with double seal gasket EPDM with self-slip material inside. Tightness class C according to LST EN 1506 and LST EN 12237. The T-piece can be used at temperatures from -45 to +85 °C with appropriate insulation. The maximum permissible absolute humidity inside the air stream and outside is 18 g/kg. For other dimensions or materials, please contact UAB “MKTechnika” sales department. The T-pieces are manufactured by roll forming.

## Ordering code



## Dimensions



Ød1 <sub>nom</sub> [mm]	Ød2 <sub>nom</sub> [mm]	L [mm]	H2 [mm]	s [mm]	Mass [kg]
100	100	164	82	0,5	0,42
125	100	164	94,5	0,5	0,50
125	125	189	94,5	0,5	0,56
160	100	164	112	0,5	0,62
160	125	189	112	0,5	0,69
160	160	224	112	0,5	0,79
200	100	164	132	0,5	0,75
200	125	189	132	0,5	0,83
200	160	224	132	0,5	0,95
200	200	264	132	0,5	1,08
250	100	164	157	0,5	0,91
250	125	189	157	0,5	1,01
250	160	224	157	0,5	1,15
250	200	264	157	0,5	1,3
250	250	314	157	0,5	1,51
315	100	164	190	0,5	1,21
315	125	189	190	0,5	1,34
315	160	224	190	0,5	1,51
315	200	264	190	0,5	1,71
315	250	315	190	0,5	1,95
315	315	379	190	0,5	2,27
400	100	164	232	0,5	1,52
400	125	189	232	0,5	1,67
400	160	224	232	0,5	1,87
400	200	264	232	0,5	2,11
400	250	314	232	0,5	2,41
400	315	379	232	0,5	2,80
400	400	464	232	0,5	3,30
500	100	164	282	0,5	1,87
500	125	189	282	0,5	2,05
500	160	224	282	0,5	2,30
500	200	264	282	0,5	2,59
500	250	314	282	0,5	2,95
500	315	379	282	0,5	3,42
500	400	464	282	0,5	4,03
500	500	564	282	0,5	4,75

\*Product mass – made of galvanized steel

Sample: TR160125 – made of galvanized steel T-piece 90°, duct diameter 160 mm, with branch 125mm.



TECHNIKA

# T pieces 90°

TR

## Dimensions

$\varnothing d1_{nom}$ [mm]	$\varnothing d2_{nom}$ [mm]	L [mm]	H2 [mm]	s [mm]	Mass [kg]
630	100	164	347	0,6	2,78
630	125	189	347	0,6	3,04
630	160	224	347	0,6	3,41
630	200	264	347	0,6	3,83
630	250	314	347	0,6	4,36
630	315	379	347	0,6	5,04
630	400	464	347	0,6	5,94
630	500	564	347	0,6	7,00
630	630	694	347	0,6	8,37