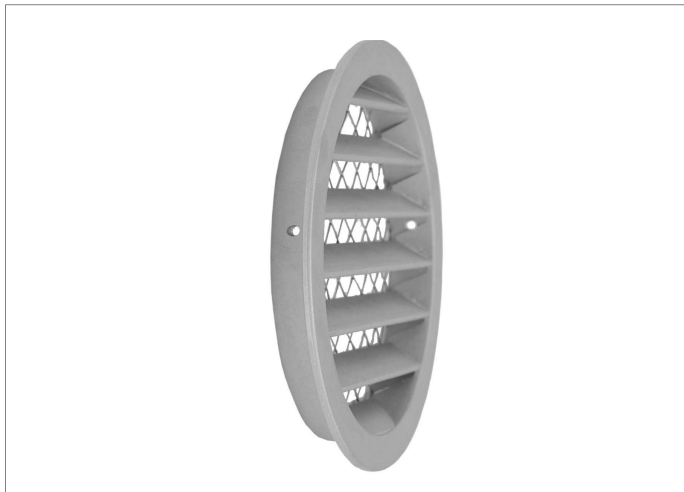




TECHNIKA

External wall grilles

YGAV



Description

Circular external grille with mesh is used for installation of ventilation system in buildings together with spiral or straight ducts. They are used to protect the air intake or exhaust duct against the ingress of animals or other foreign objects into the duct system.

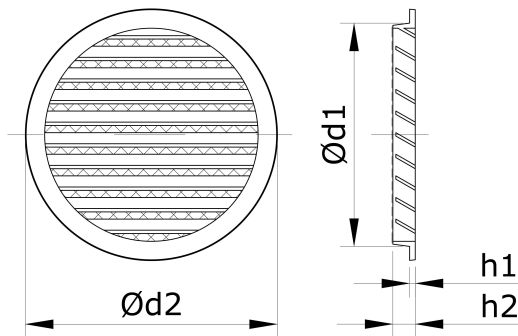
Circular grille made of aluminium alloy with steel mesh. The grille must be cleaned at least twice a year. If the grille is installed outdoors, it is recommend to paint in a RAL colour as a facade. The external outdoor grill can be used at temperatures from -45 to +85 ° C. The maximum permissible absolute humidity inside and outside the air stream is 18 g / kg. Mesh size 12x12 mm. It should be possible to remove the grilles for maintenance.

Ordering code

Product	YGAV200D
Size	
Colour in RAL palette	

Sample: YGAV200D9010 – made of aluminium circular external grilles, diameter 200 mm, painting in RAL9010 colour.

Dimensions



Ød1 [mm]	Ød2 [mm]	h1 [mm]	h2 [mm]	F [m ²]	Mass [kg]
100	125	5	20	0,0044	0,16
125	150	5	20	0,0068	0,27
160	185	5	20	0,0120	0,37
200	225	5	20	0,0200	0,65
250	275	5	20	0,0310	1,12
315	350	7	22	0,0470	1,90
400	430	1	51	0,0750	3,00

Technical data

Total A-weighted sound pressure level L_{PA} dB(A), obtained by mathematically adding the factor k to the desired noise at required distance x meters from the total sound power level L_{WA} dB(A).

$$L_{PA} = L_{WA} + k$$

x (m)	1	2	3	4	5	10	20
k (dB)	-5	-12	-15	-17	-19	-25	-30

